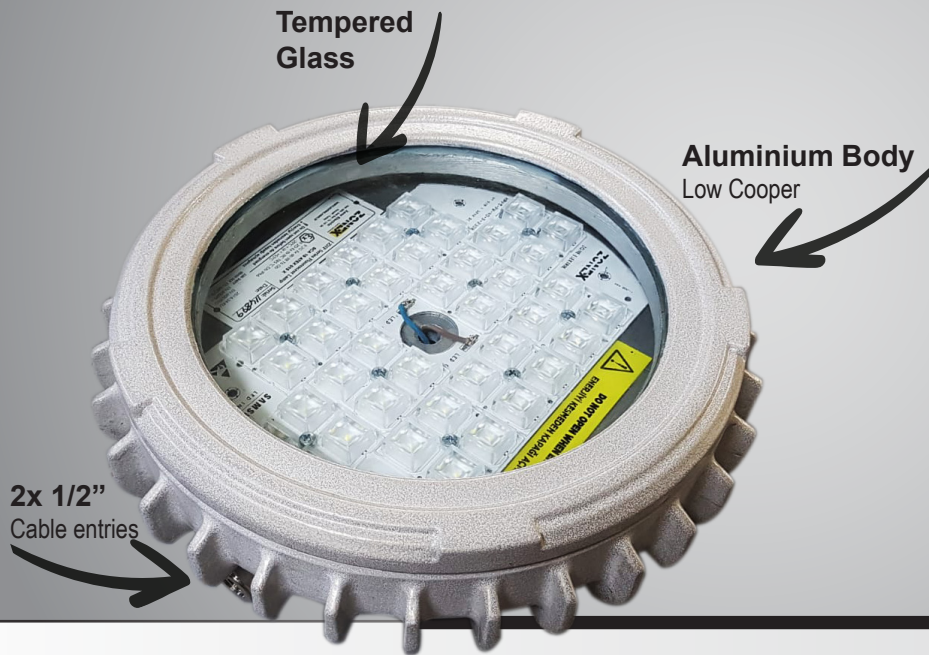


# ZNL.X

Power LED



ZONE 1-2 / 21-22

IP 66

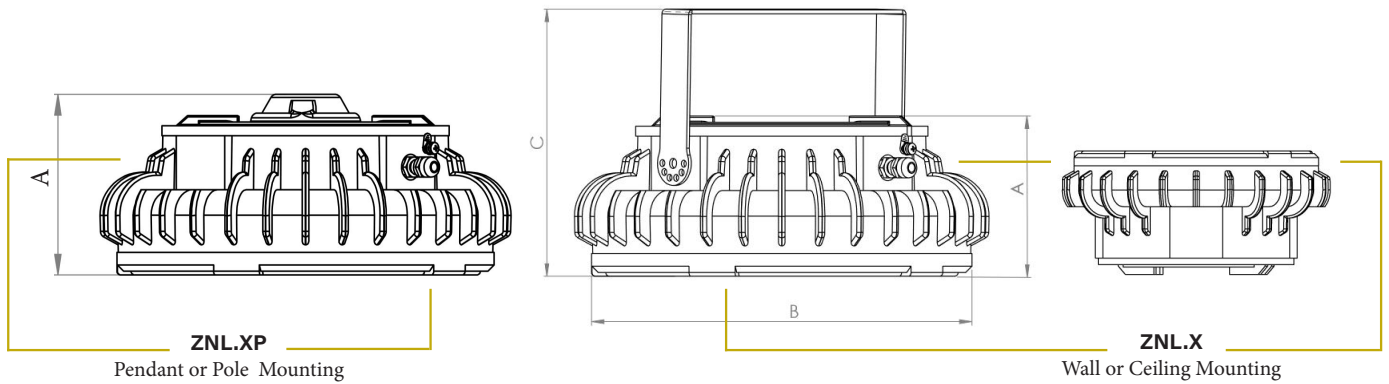
$-20\text{ }^{\circ}\text{C} < T_a < +55\text{ }^{\circ}\text{C}$

Product	Aluminium Body Led Projector
Certification	...
Marking	II 2G Ex db IIB T5 Gb II 2D Ex tb IIIC T100°C Db
IP	IP 66
Ambiant Temp.	-20 °C up to +55 °C
Standarts	EN60079-0: 2018; EN60079-1: 2014; EN60079-31: 2014
Cable Entries	2 x 1/2"
Body	Low Cooper Aluminium Alloy
Difusser	Shock and high temperature tempered glass
Gaskets	NBR oring on covers and high temp. res. silicone for glass
Paint	Electrostatic Powder Coat
Circuit	MOSO Driver and Samsung/Osram Led
Rated Voltage	220/240V
Frequency	50/60 Hz
Application	Oil refineries, Chemical and petrochemical plants, Boiler rooms etc.

included technology

OSRAM | SAMSUNG | MOSO®

# DIMENSIONAL DRAWING



	A	B	C	Lumens	Power	weight (kg)
ZNL 50P	120	210	-	~ 7040 lm	50w	_____
ZNL 50	105	210	165			
ZNL 75P	120	210	-	~ 9050 lm	75w	_____
ZNL 75	105	210	165			
ZNL 100P	142	300	-	~ 13500 lm	100w	_____
ZNL 100	127	300	212			
ZNL 120P	142	300	-	~ 15200 lm	120w	_____
ZNL 120	127	300	212			
ZNL 140P	142	300	-	~ 18400 lm	140w	_____
ZNL 140	127	300	212			



ZNL.

50W  
75W  
100W  
120W  
140W

Empty for Wall or Ceiling Bracket  
P for Pendant or Pole Mounting



OSRAM | SAMSUNG | MOSO

