

ZNB.CB



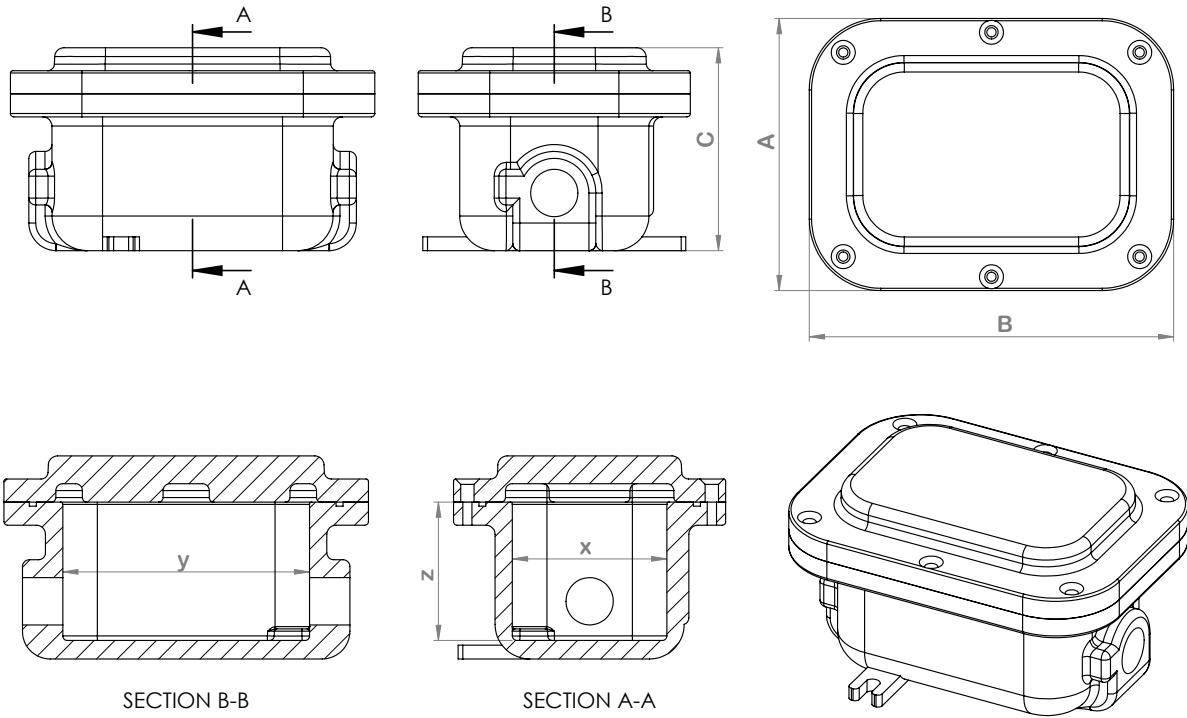
ZONE 1-2 / 21-22

IP 65

$-25\text{ °C} < T_a < +55\text{ °C}$

Product	Aluminium Body Junction Boxes
Certification	SCA 20 ATEX 068X
Marking	II 2G Ex db IIB T6 Gb II 2D Ex tb IIIC T85°C Db
IP	IP 65
Ambiant Temp.	-25 °C up to +55 °C
Standarts	EN60079-0: 2018; EN60079-1: 2014; EN60079-31: 2014
Cable Entries	2X1/2" or 2x3/4"
Body	Low Cooper Aluminium Alloy
Gaskets	NBR o-ring on Body
Paint	Electrostatic Powder Coat
Rated Voltage	24-220V
Frequency	50/60 Hz
Application	Oil refineries, Chemical and petrochemical plants, Boiler rooms etc.

DIMENSIONAL DRAWING



	External			Internal		
	A	B	C	X	Y	Z
ZNB-CB	118	158	105	67	107	60

ZNB-CB

See Information
Columns

